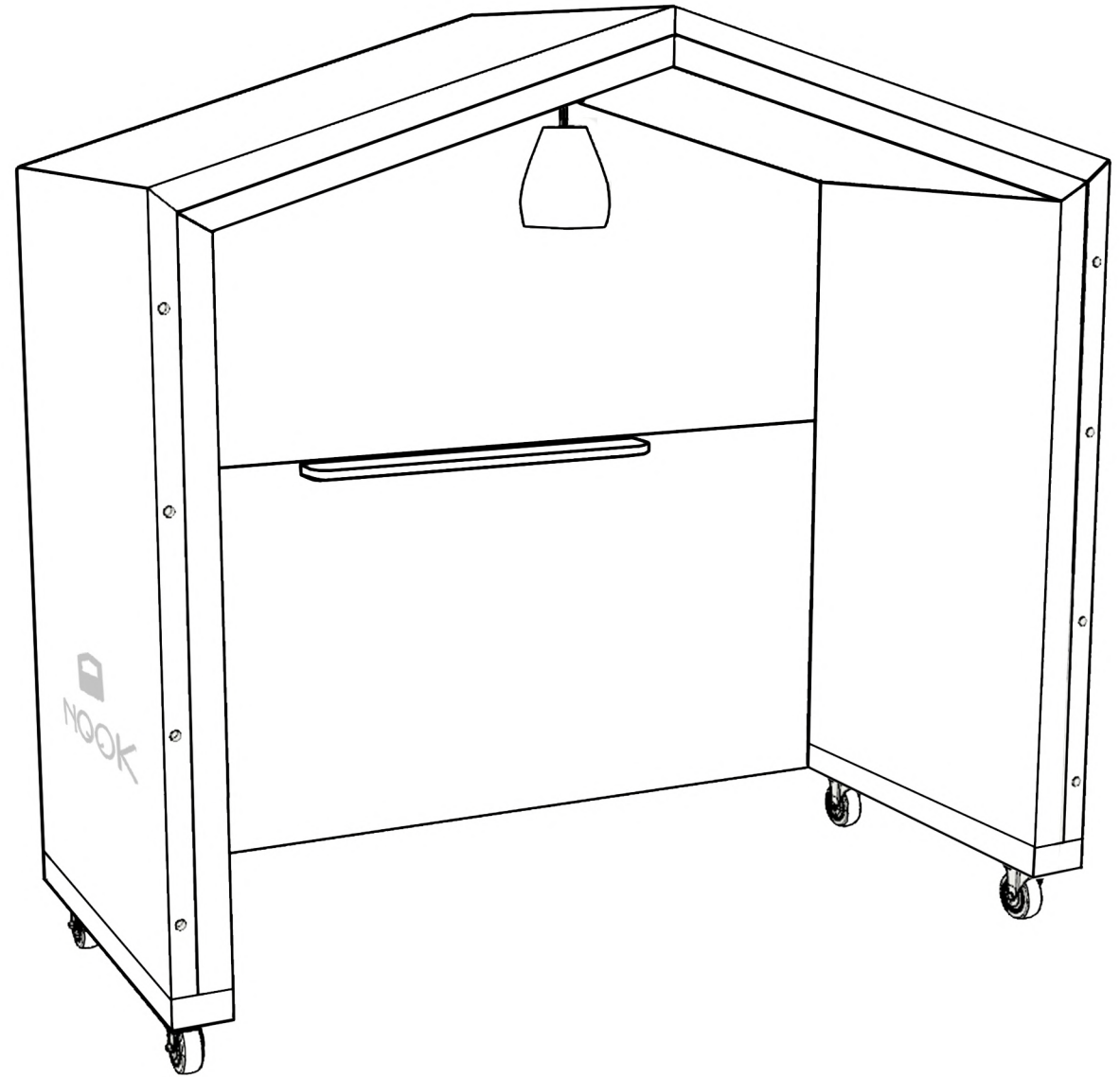




NOOK

Shelter

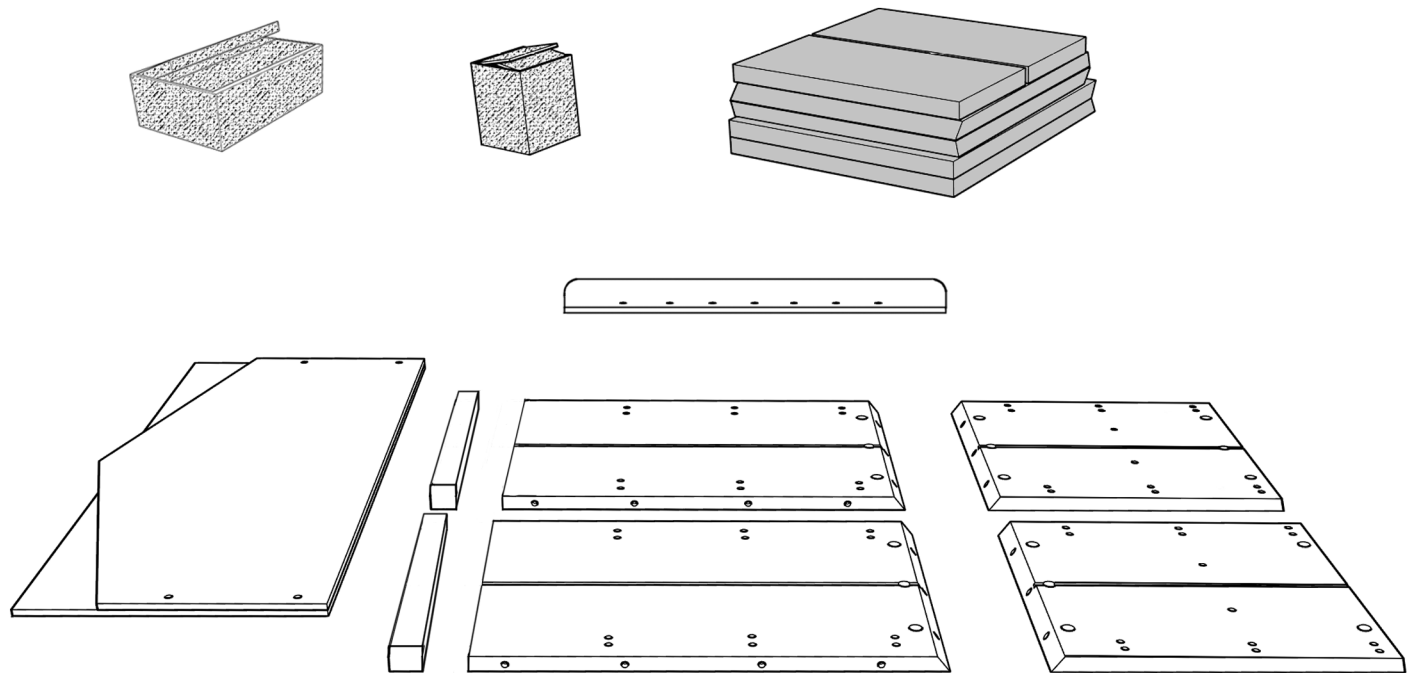
Construction Guide





Section A

1. Unpacked Nook Kit. Remove the Upholstery, Hardware boxes and set to one side.
2. Use the cardboard supplied to create a protective layer between nook parts and, if present, a hard floor.
3. Set out the Roof parts and the side as shown, ready for assembly.

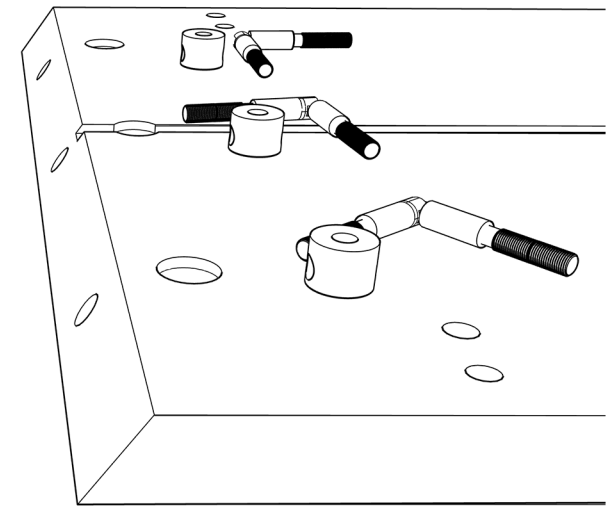
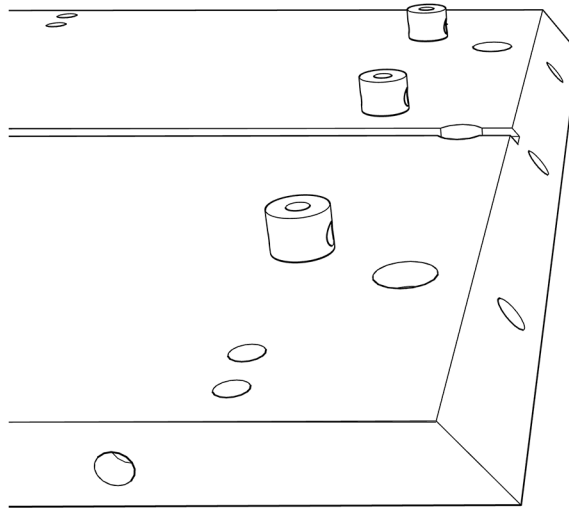




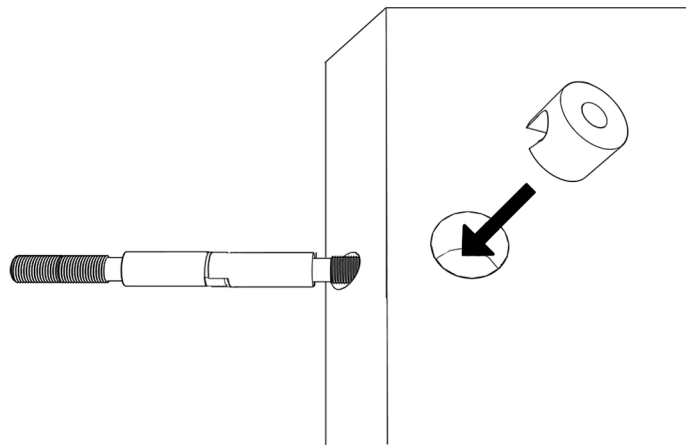
Section A

4. Lay out the angled zip bolts for fixing the roof to the side.
5. Insert the zip bolt in to the side and drop the zip bolt screw head on to the bolt.
6. Turn the zip bolt to catch the screw head and screw in place enough to catch the screw head.
7. Complete this task for all three zip-bolts in this area.

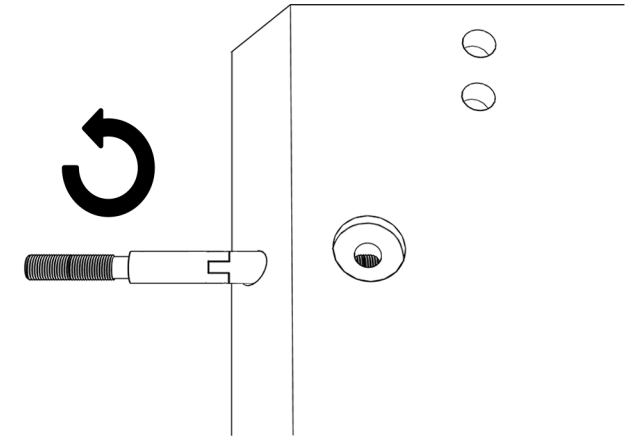
4.



5.



6.

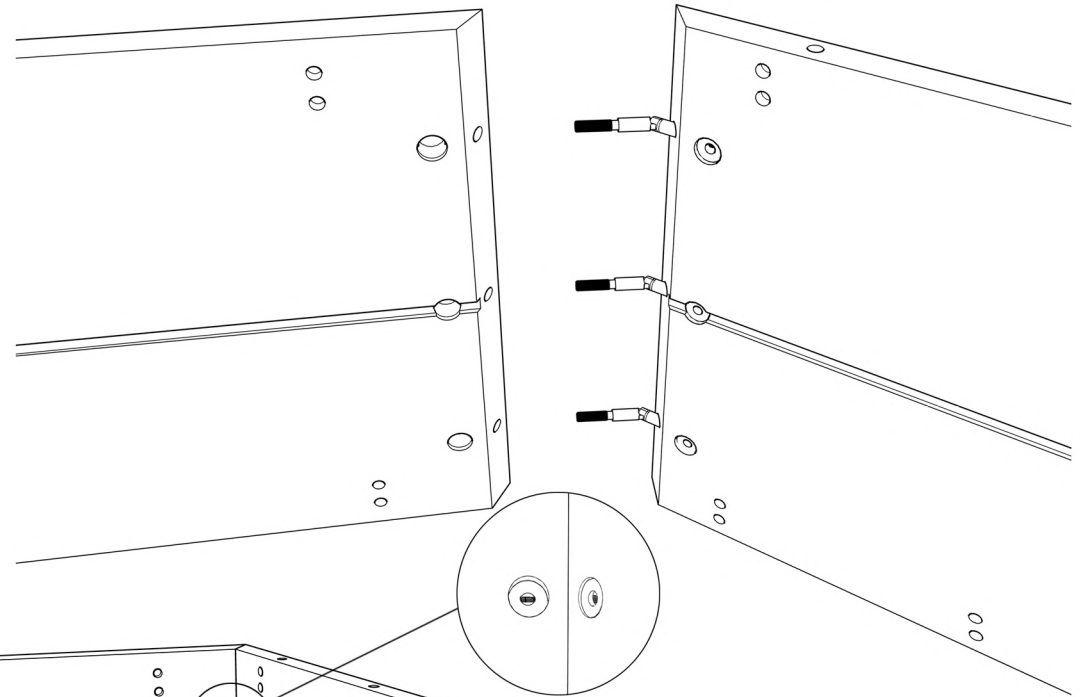




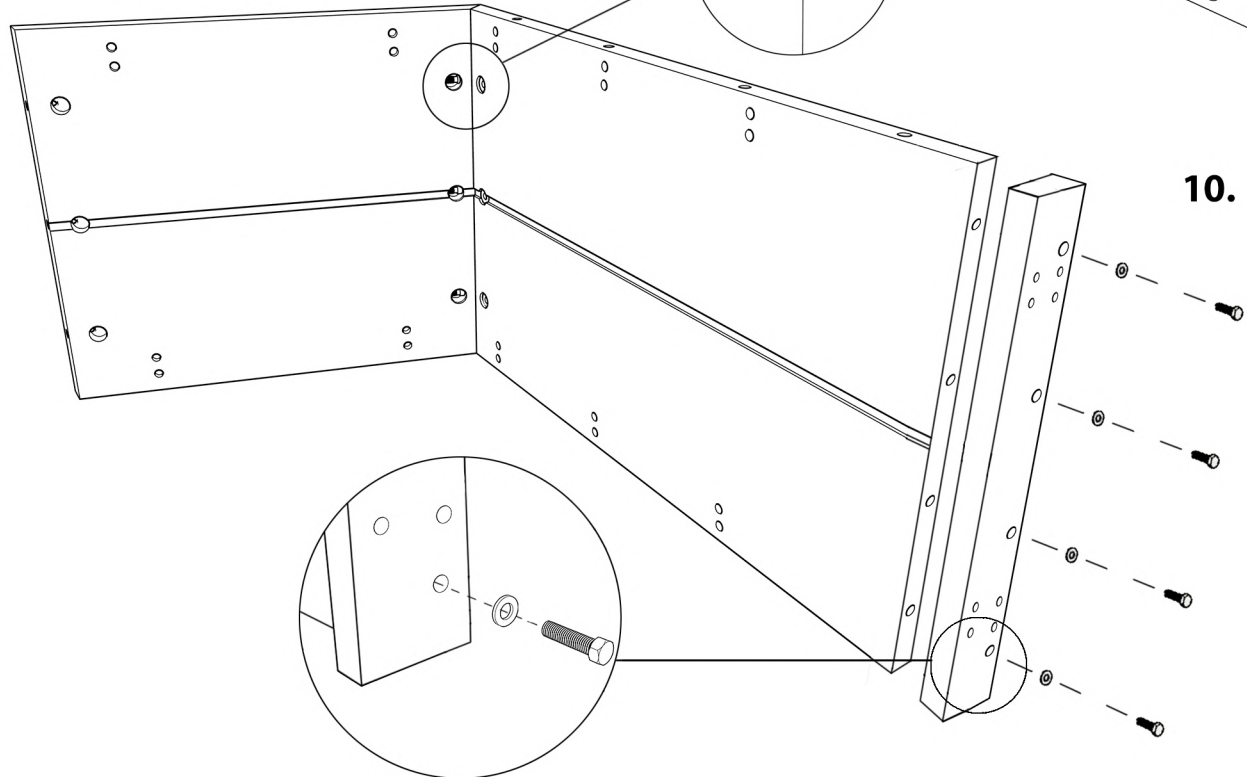
Section A

8. Bend all three zip-bolts at the knuckle and insert the loose ends in to the roof.
9. As per step 5, insert the screw head on to the zip-bolt inside the roof and tighten.
10. Offer up the Castor Base Plate to the Side Panel using the Washers and Bolts, and tighten securely. Make sure the excess of the Castor Base plate is inside the Nook Shell.

8.



9.





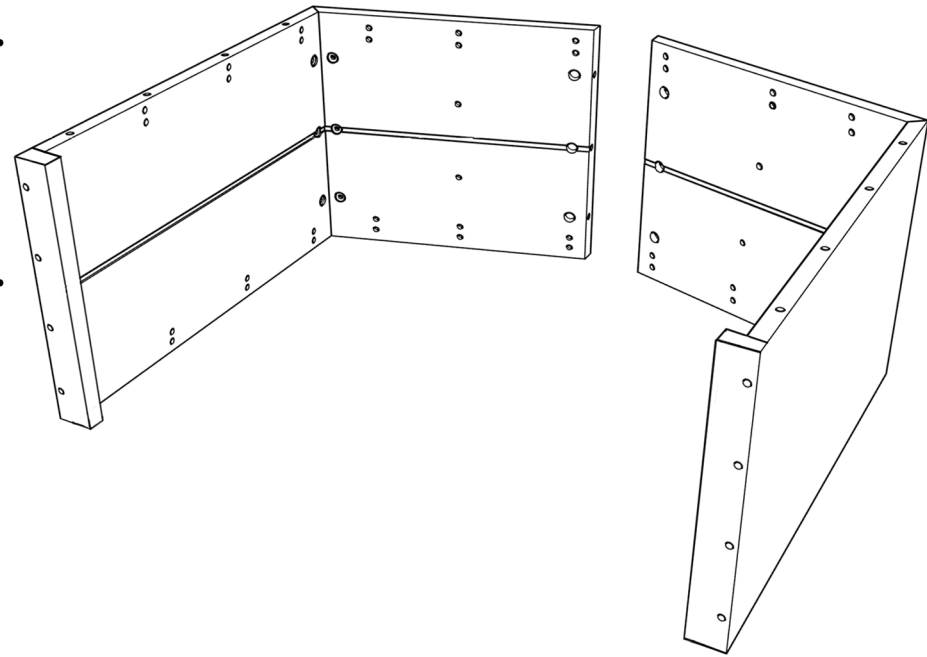
Section A

11. Tighten both sets of screwheads alternately until the side and roof are in perfect alignment.

Note: Adjustments can be made by releasing one side & tightening the other.

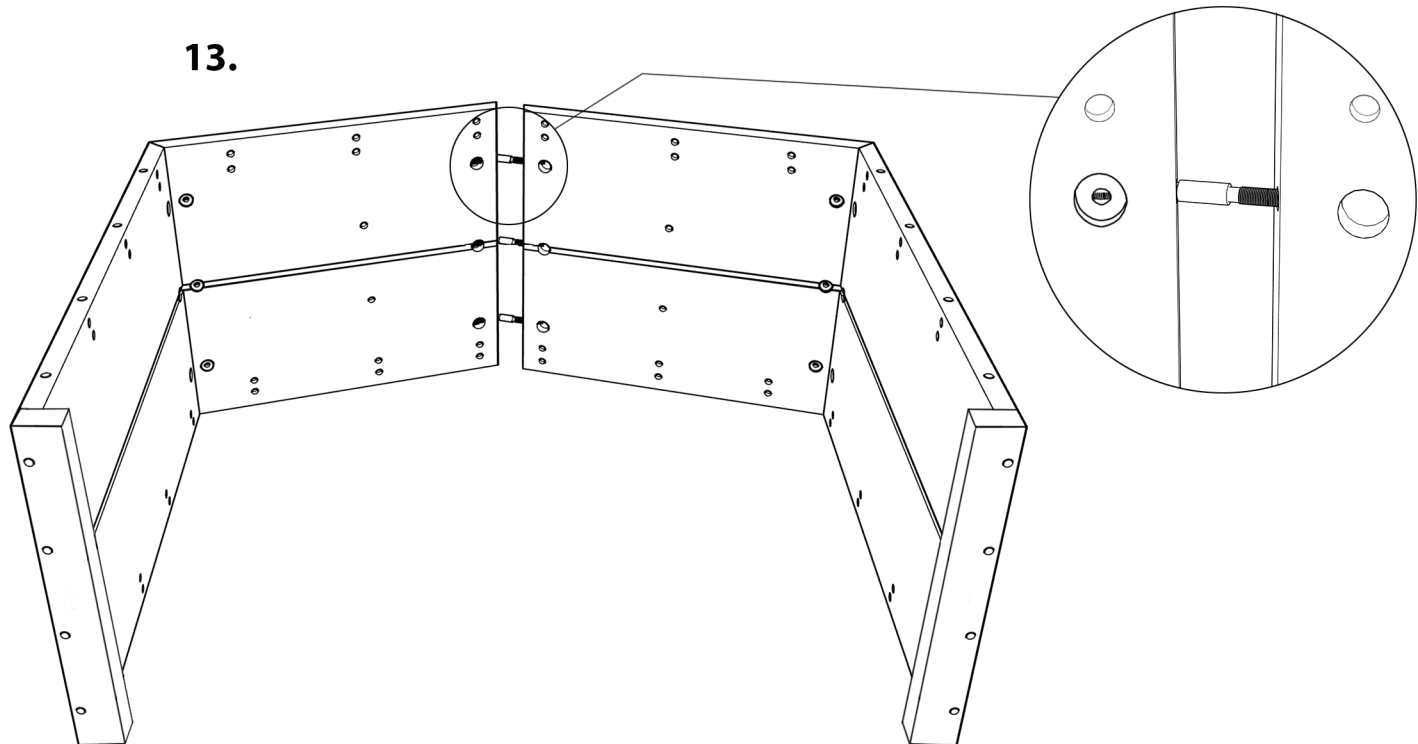
12. Complete this task for both sides & roofs, then bring together.
13. Repeat this technique to join roof to roof, adjusting for a perfect join as you go.

11.



12.

13.

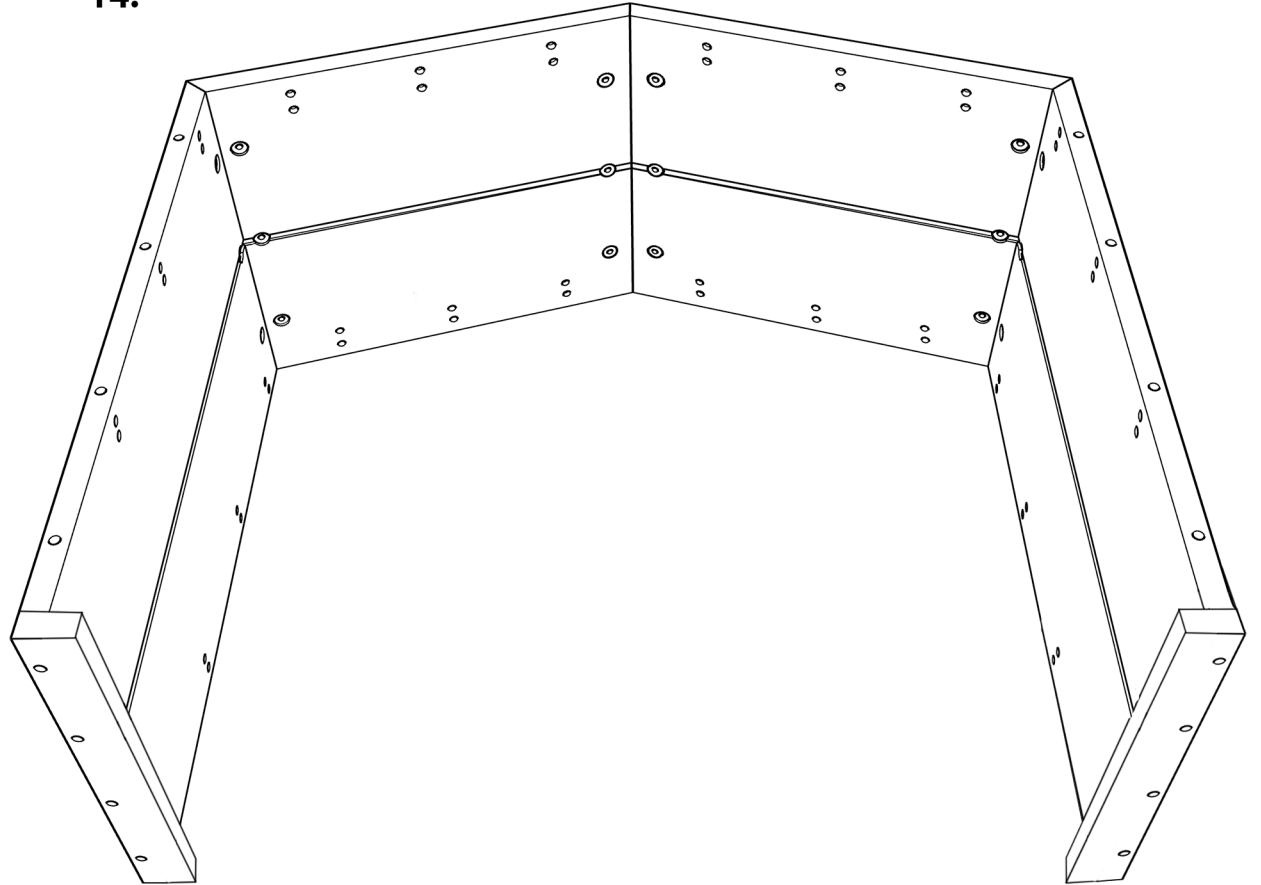




Section A

14. The completed Upper Nook Shell should look like this.

14.

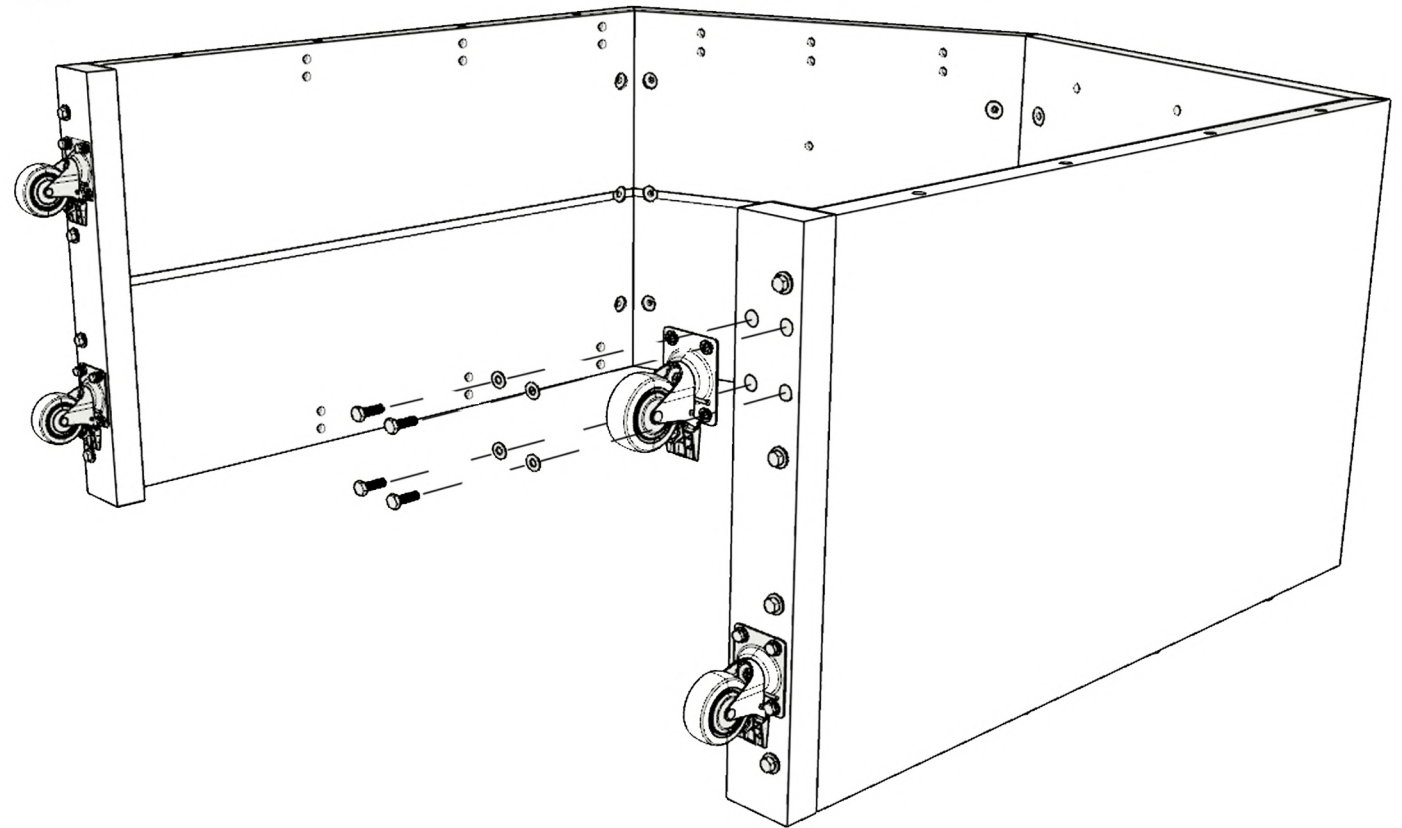




Section A

15. Using the Bolts & Washers secure the castors onto the Castor Base, and lock in place.

15.





Section A

16. Keeping the nook on its side, use the mallet to carefully insert the upholstery pegs in to the 6 outer holes in each Nook Side Panel and 8 holes in each Nook Roof.

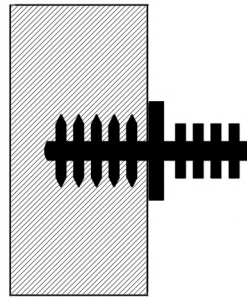
Note:

There are 6 inner set of redundant holes in the Nook Side Panel in case the pegs are damaged.

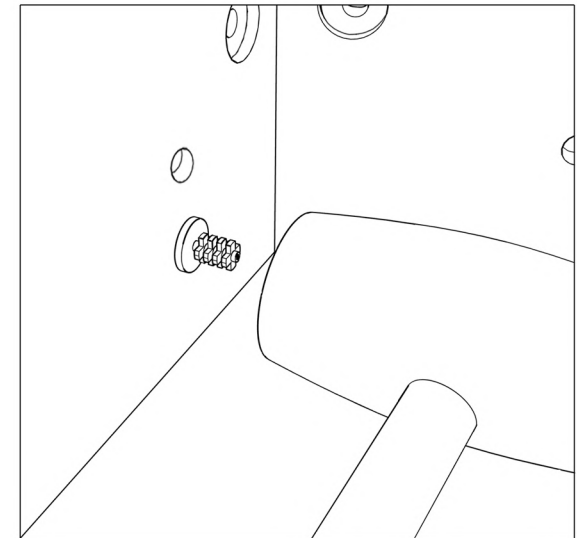
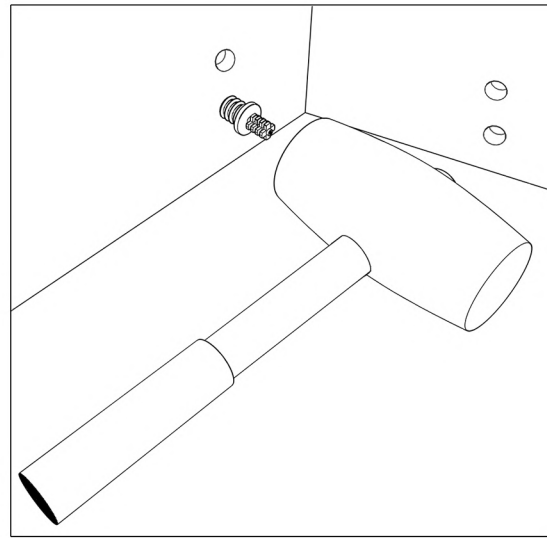
Take care not to force the peg too far in to the hole. The peg collar should rest against the panels surface.

The pegs with plus symbol side should be left exposed.

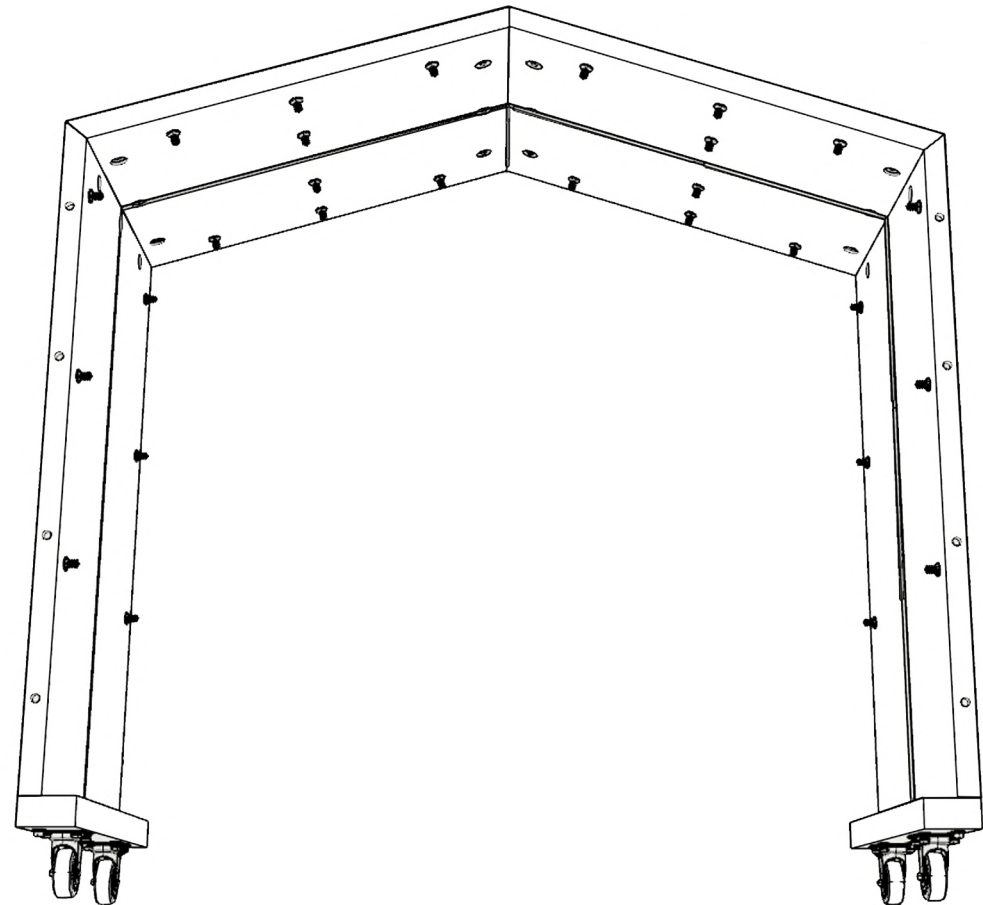
17. When all upholstery pegs are in place, the nook should look like this.



16.



17.



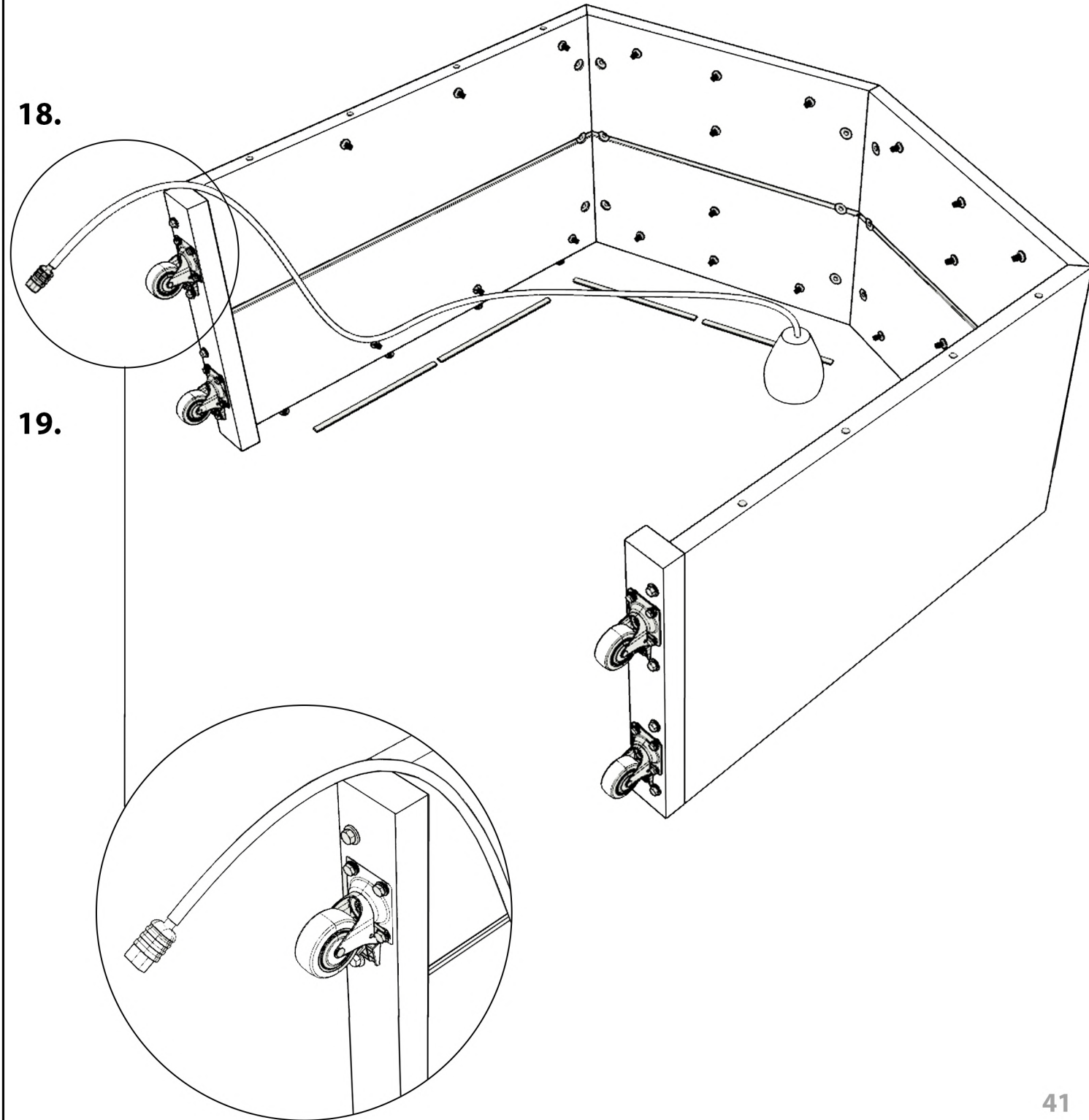


Section A

18. Put the Overhead Light Cable over the side of the Castor Base then affix separately supplied plug.
19. Set out the Overhead Light as shown, with the Light Cable Cover Strips to hand.

18.

19.





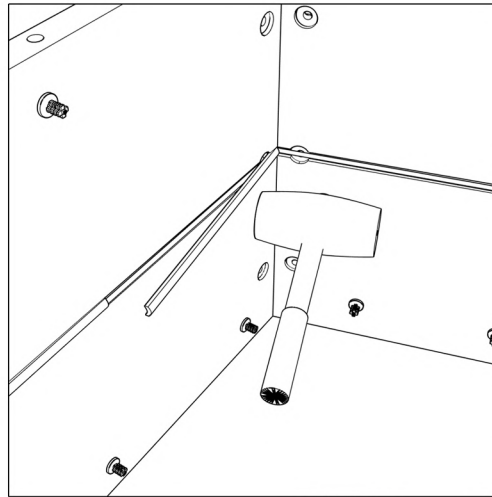
Section A

20. Install the Overhead Light Cable on the Left side of the Nook, using a mallet to secure the Light Cable Cover Strips.

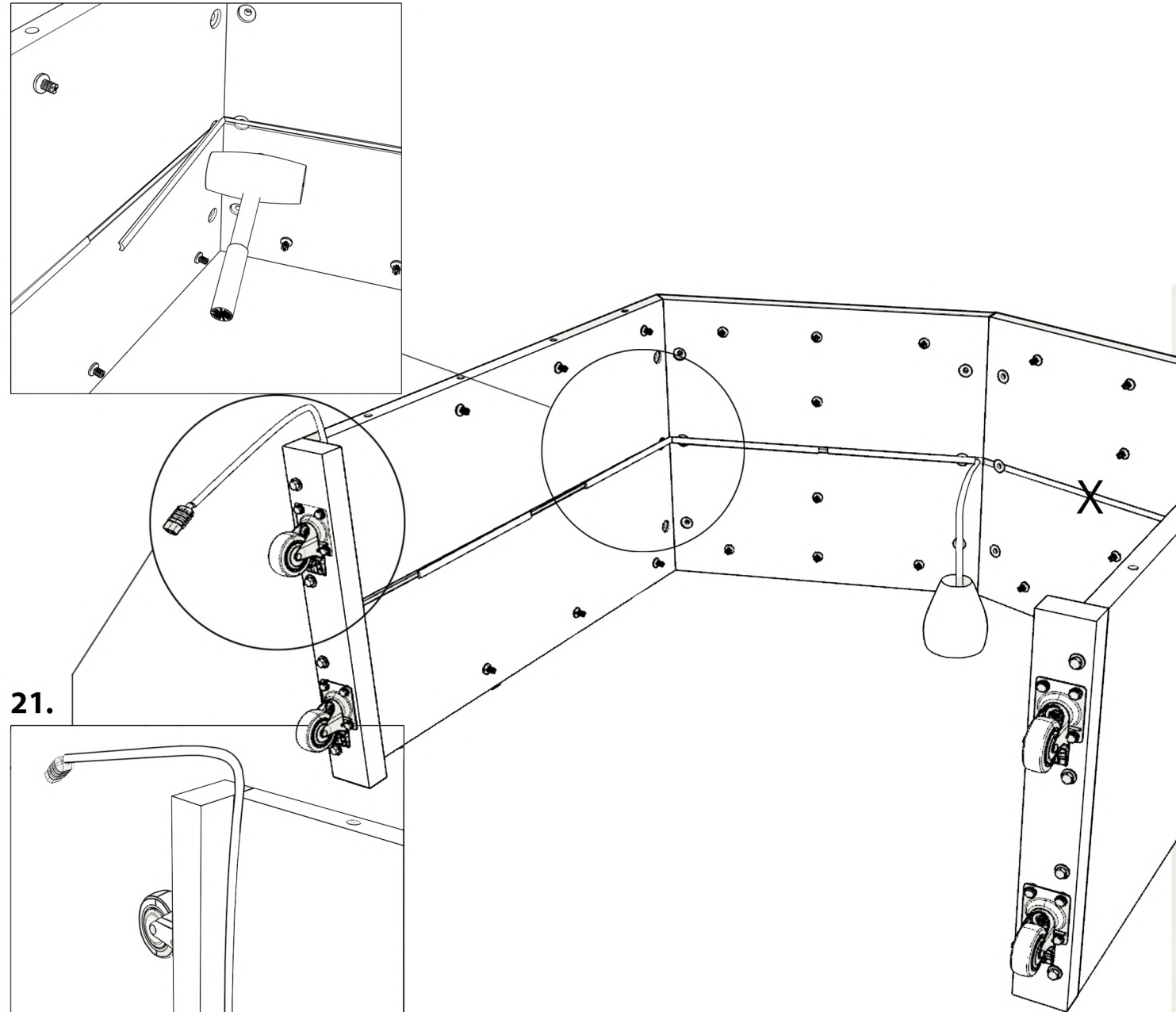
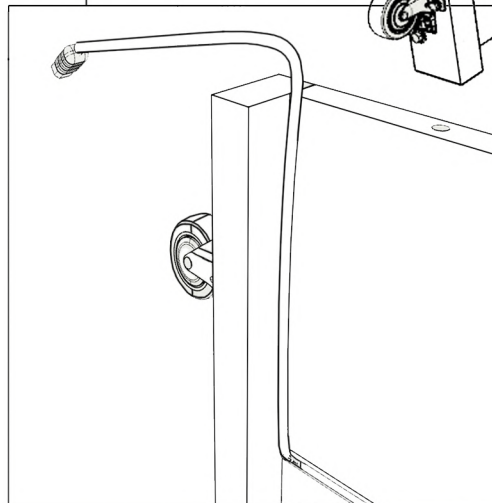
Note: The side of the Nook with the Cable installed should be mostly covered. The side of the Nook with no Cable.

21. Adjust the amount of Light Cable emerging out the crevice of the Nook Panel then over the top of the Castor Base pulling all the loose cable through carefully.

20.



21.



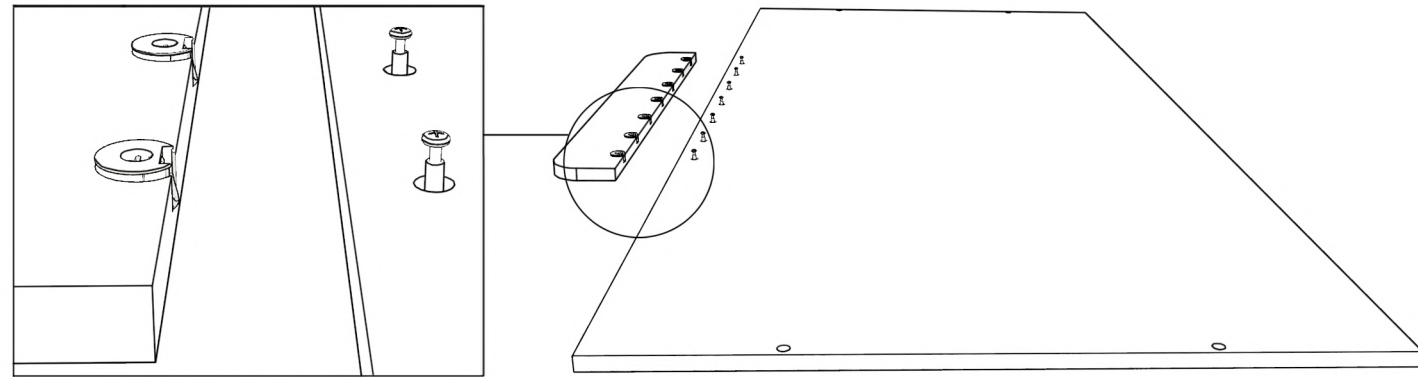


Section A

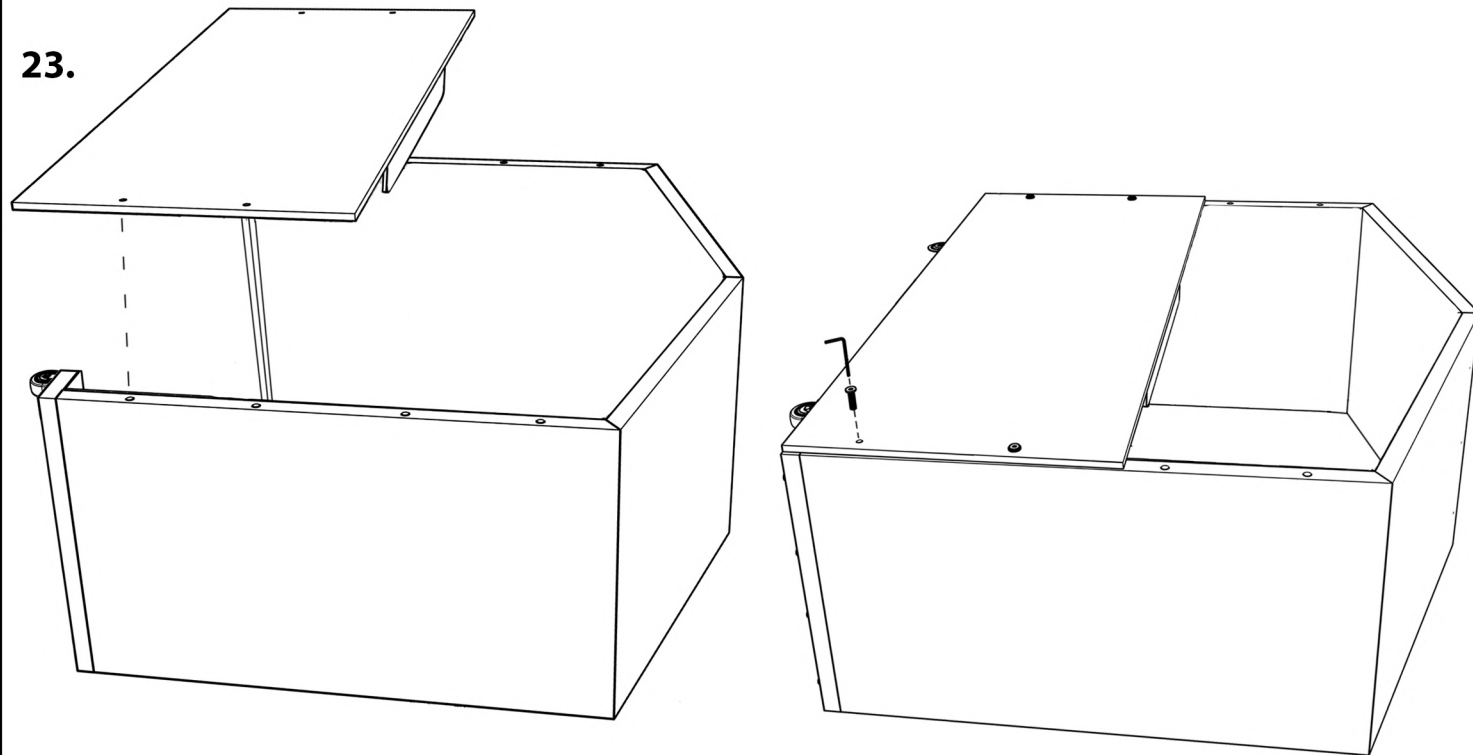
Note: Put the Overhead Light Cable on the floor inside your Nook Shell before the next step.

22. Assemble the Rear Wall Lower with the Rear Wall Lower Shelf using the Pins and Cams provided.
23. Put the Lower Back Panel onto the Nook, align the holes and use the Allen key and Bolts to screw it on tightly.

22.

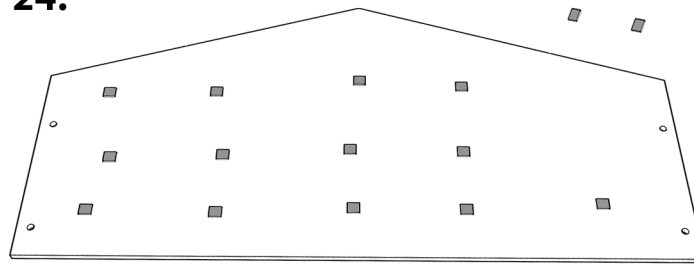


23.

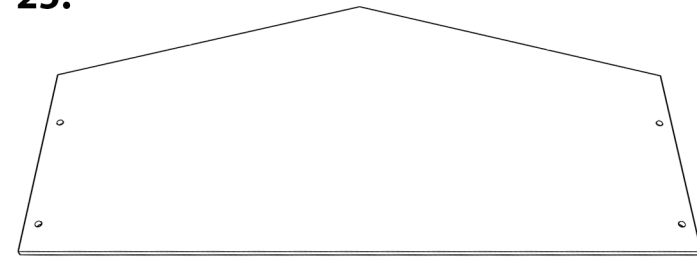




24.



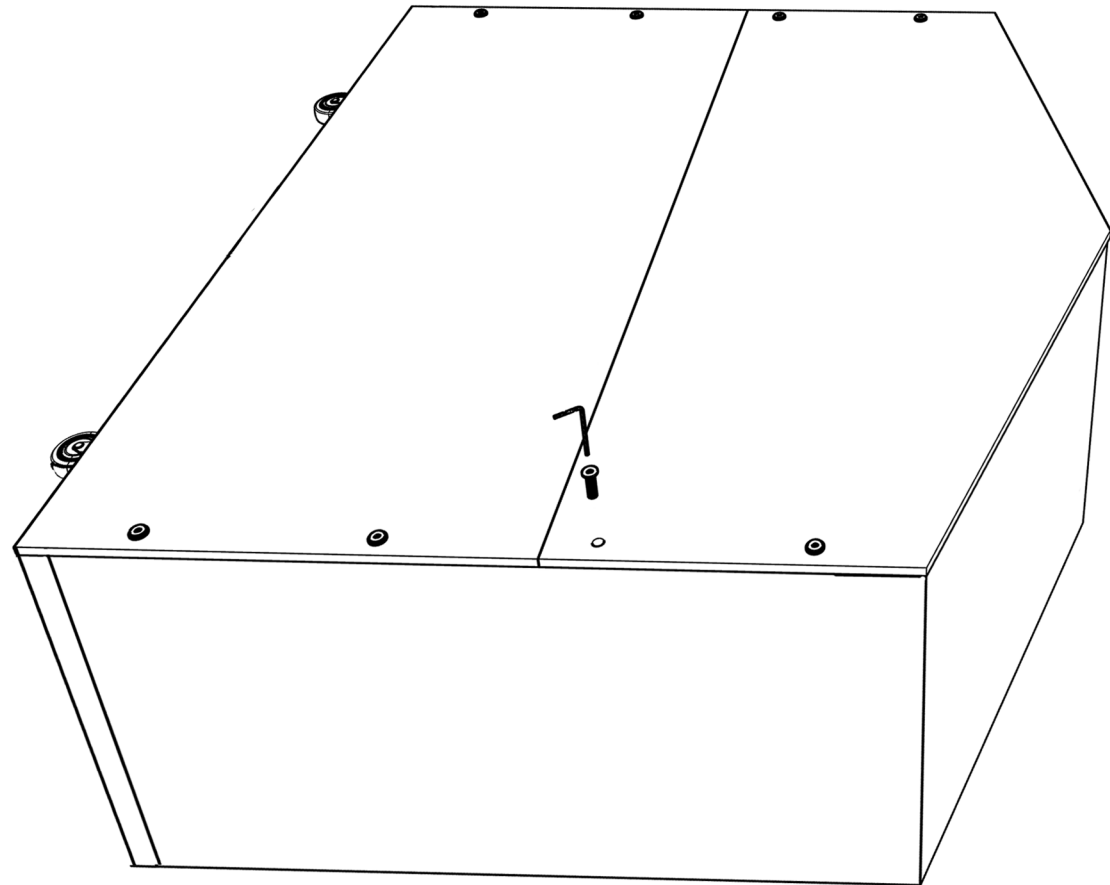
25.



Section A

24. Remove the protective blue pads from the Rear Wall Upper.
25. Remove the protective film from one side of the Upper Wall. If the Upper Wall is White Board material, remove from both sides.
26. Mount the Upper Wall on top of the Lower Wall, fix in place using the 4 Bolts with the Allen Key.

26.



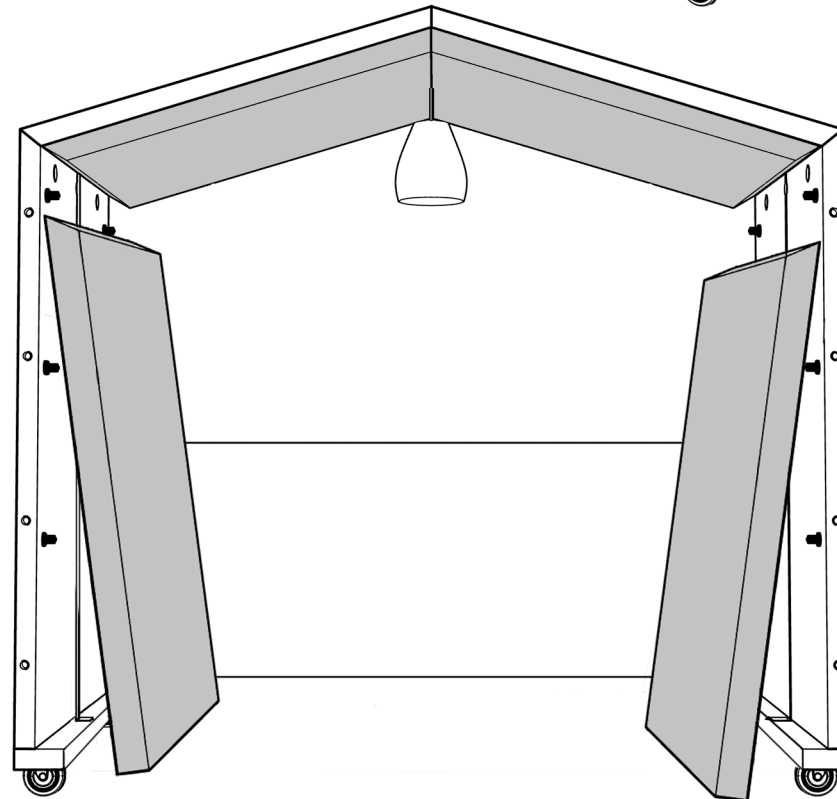
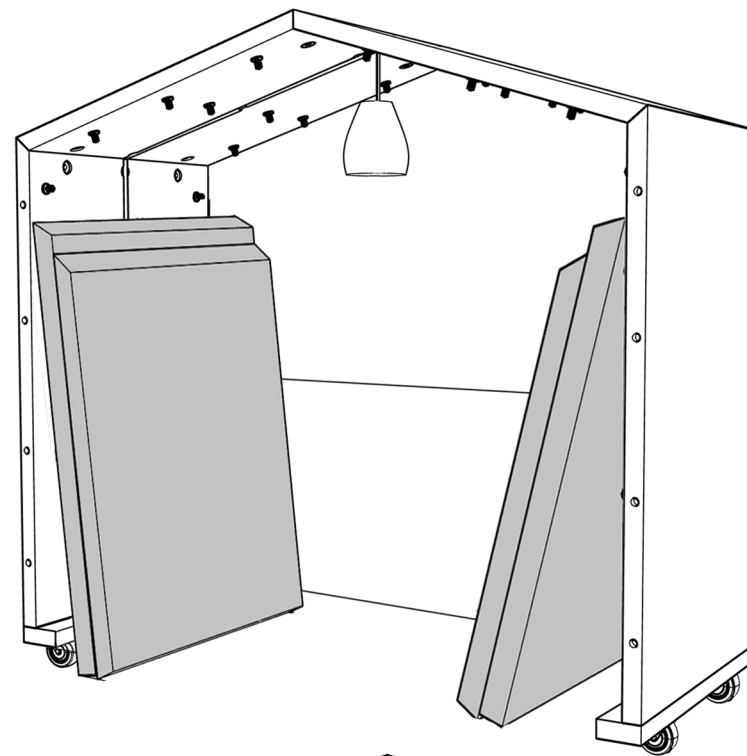


Section A

27. Use minimum 2 people to lift the Nook up by the Roof.
28. Set out the Side (largest) and Roof Upholstery Panels.
29. Install one Roof Upholstery Panel first by aligning the Upholstery Pegs with the holes in the backing board on the Upholstery Panel.

Note: A firm push or 'punch' will secure the panel in place about the area of each peg. Pay attention to each Pegs location and be sure to press firmly there. Listen for the audible sound as the teeth of the Pegs take hold.

The second Roof Panel can now be installed following the same method. Start in corner where the Side meets the Roof and work toward the centre.





Section A

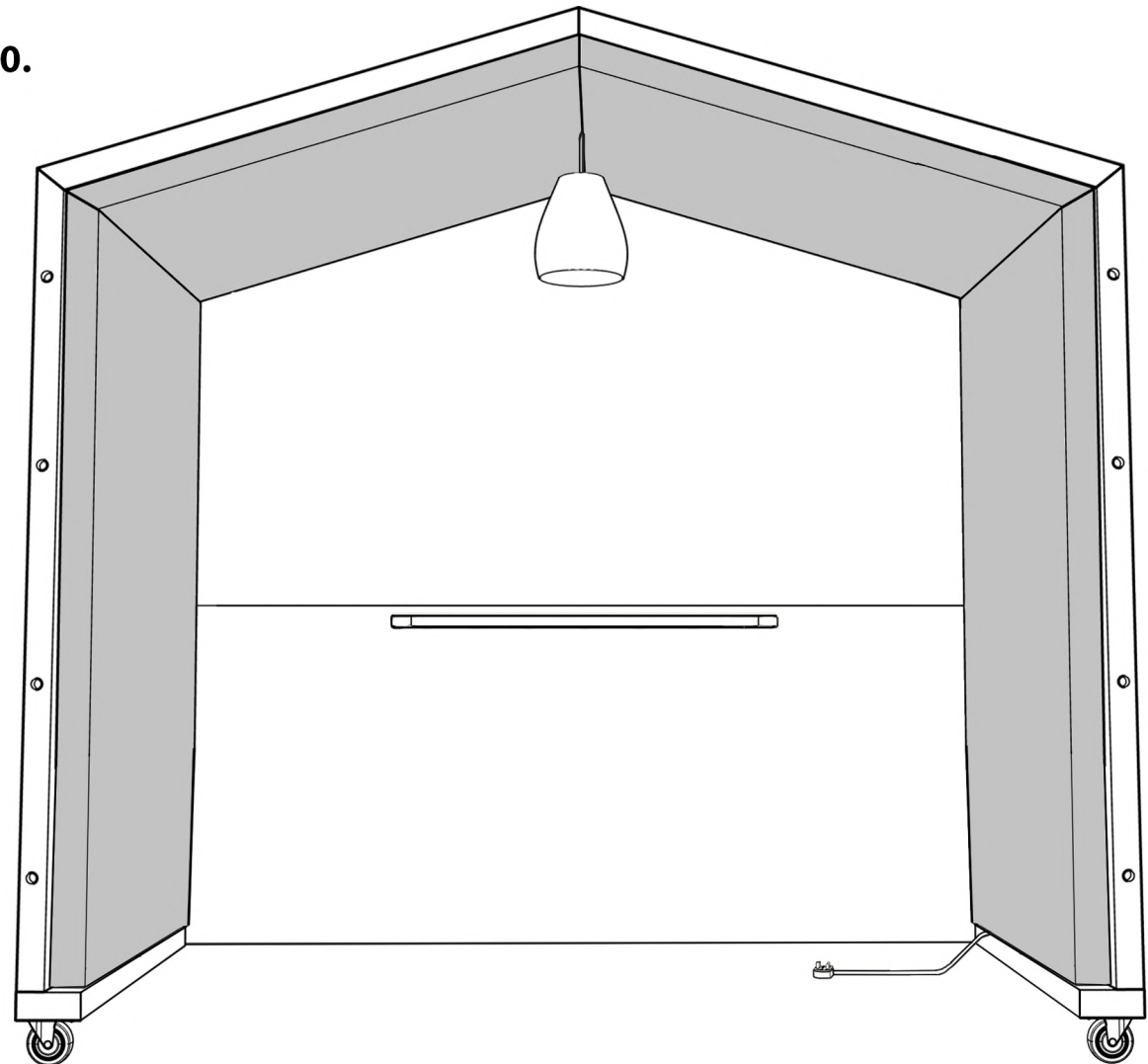
30. Secure the Side Upholstery Panel in place by first wedging the pointed end up and in against the Roof Panel, then find and secure the lowest Peg point and work your way up to the top, pressing over each Peg as you go.

Note: Check for gaps along the point where Upholstery meets Roof & Sides. A firm push in the area where the gap is should close it.

31. Plug in your Nook Shelter

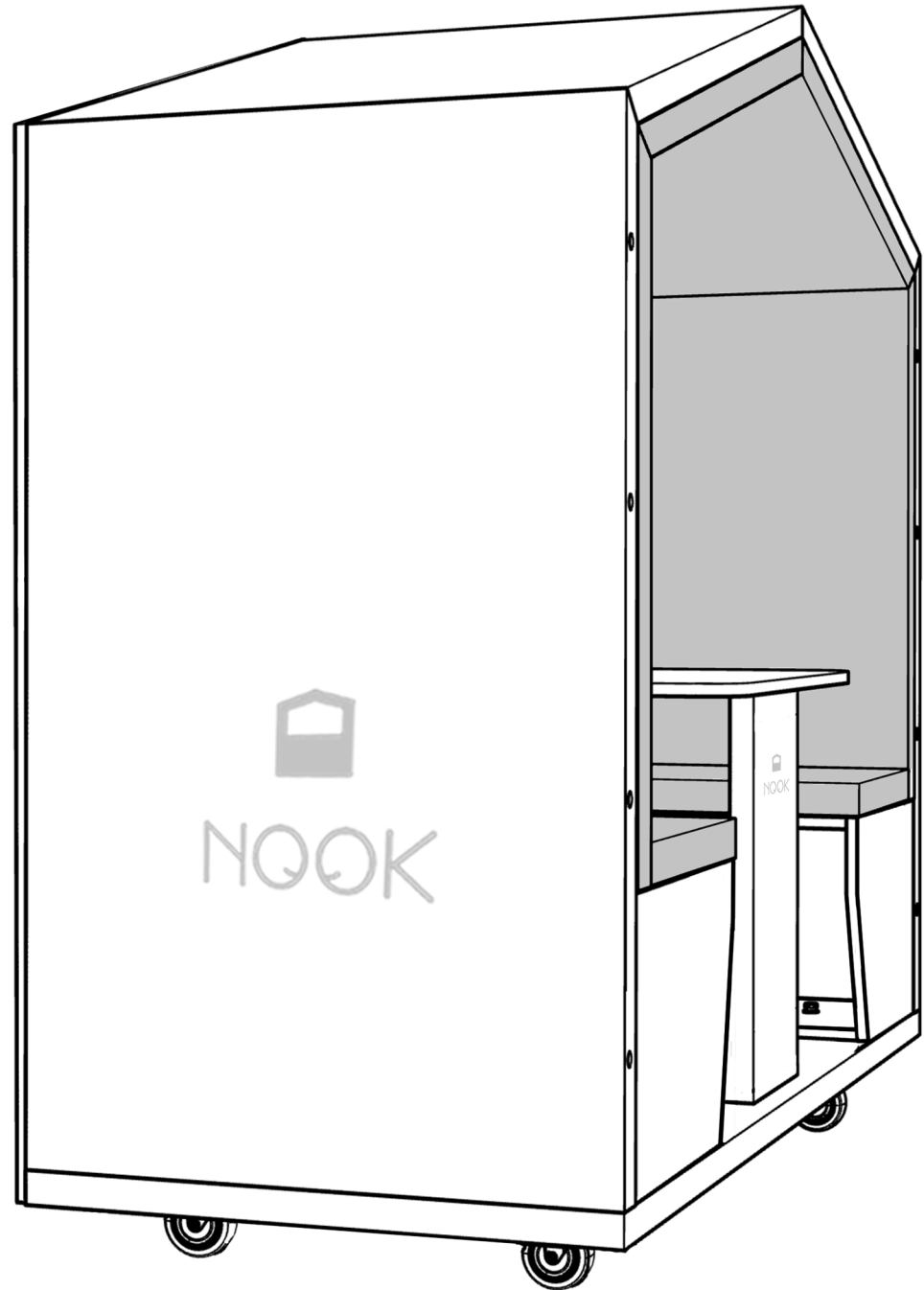
Your Nook is now ready for full use.

30.





Additional Nook Instructions and Configurations

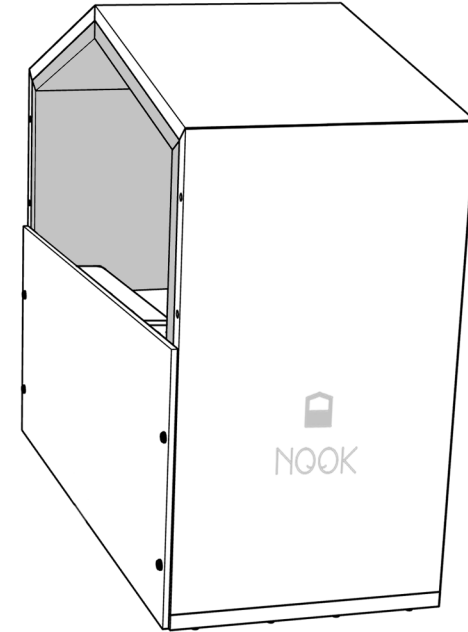
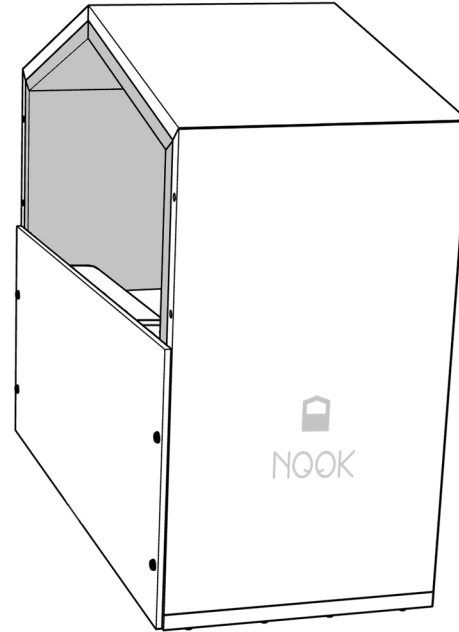
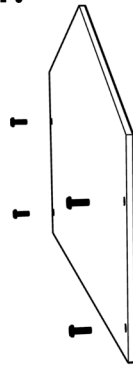




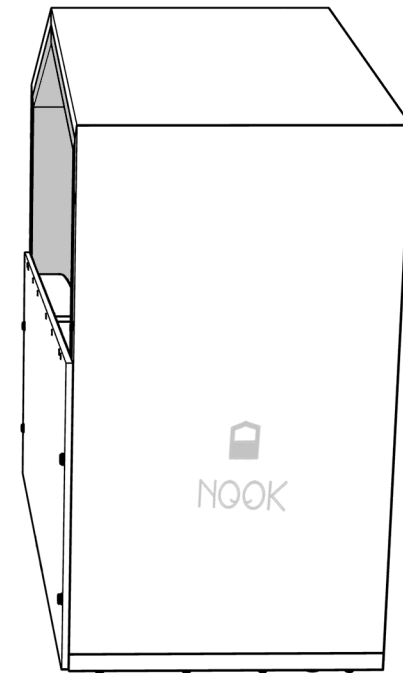
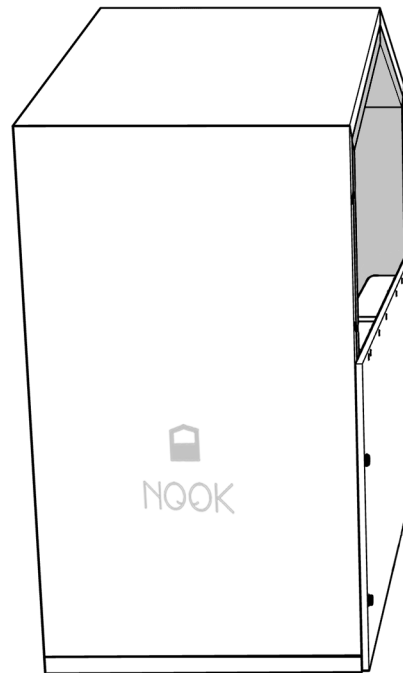
Two Nooks back-to-back (with lower backboard attached)

1. Remove the upper backboard of the two Nooks.
2. Face the Nooks back-to-back and push them together.

1.



2.

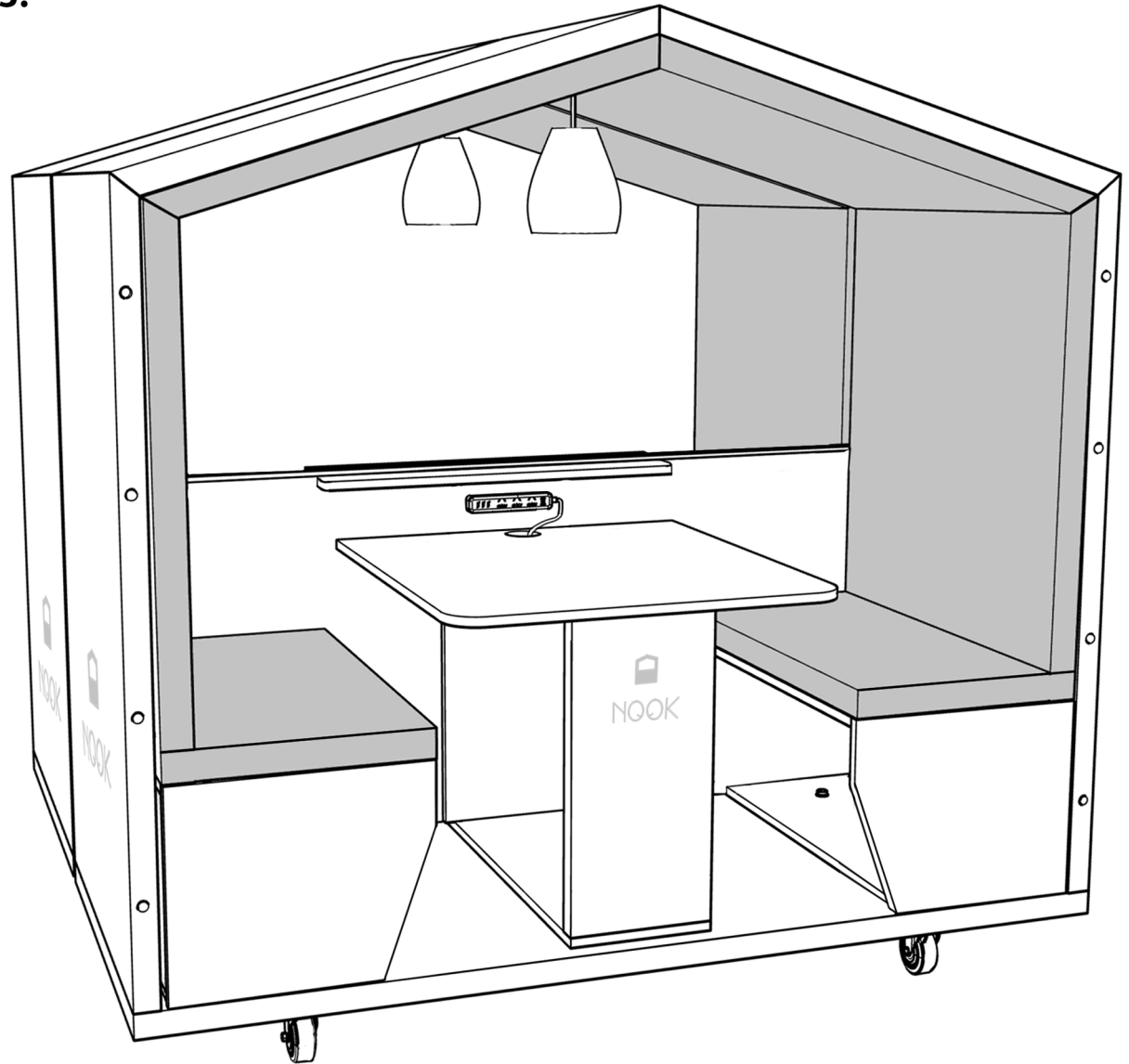




Two Nooks back-to-back (with lower backboard attached)

3. Lock the castors in place and enjoy your connected Nooks.

3.

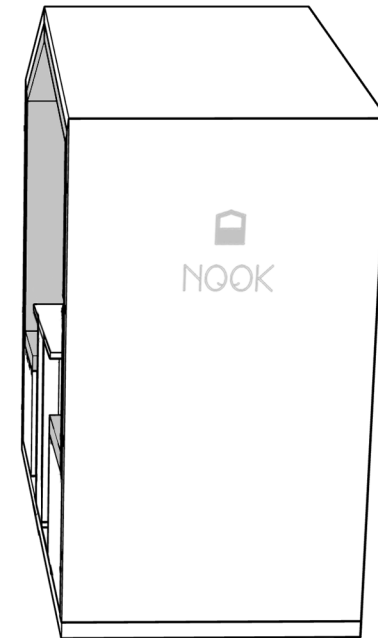
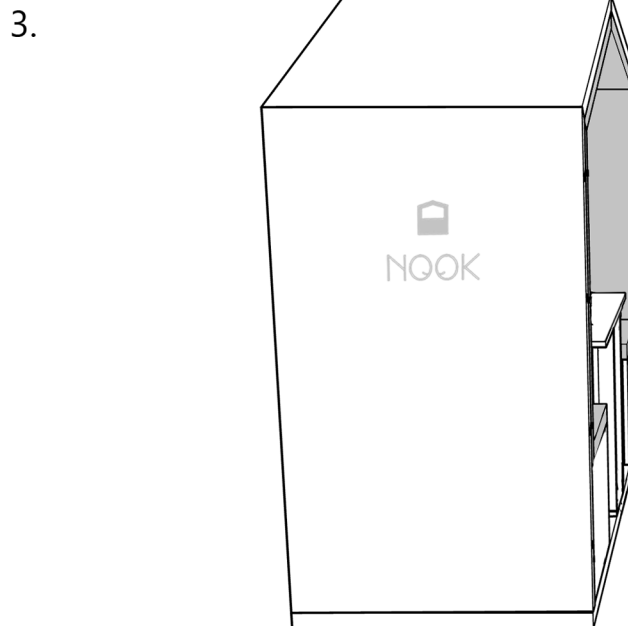
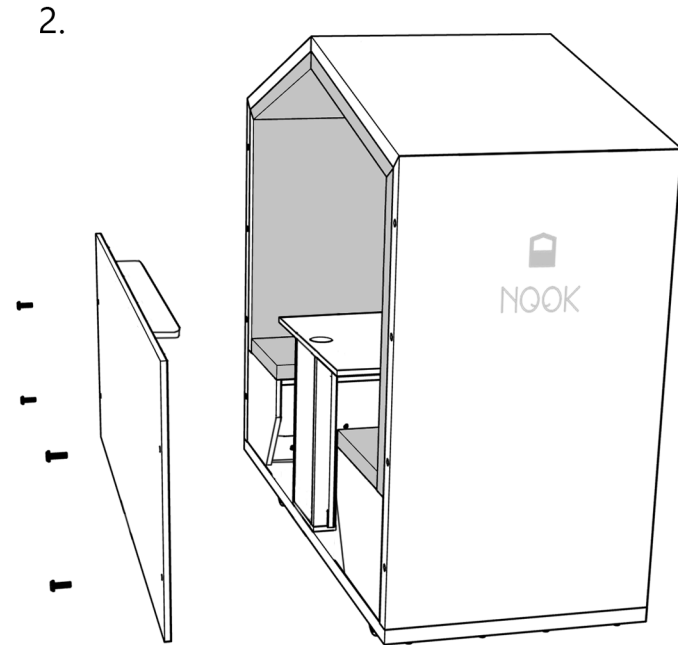
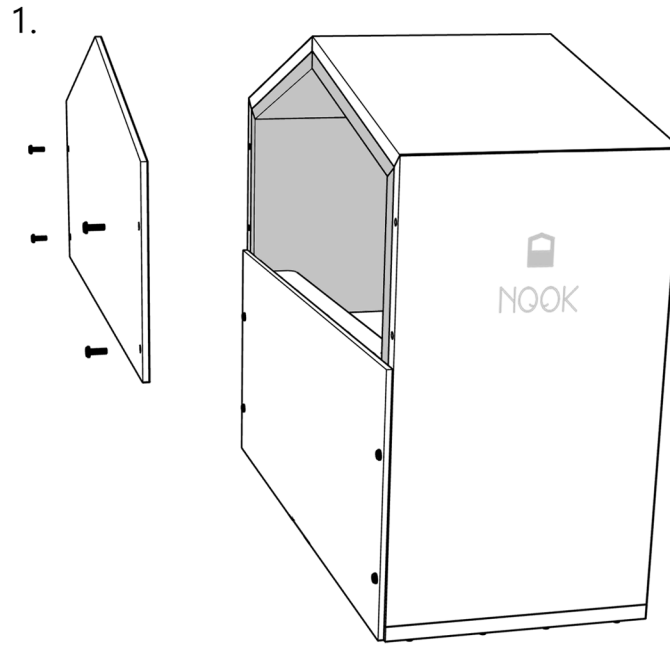




Two Nooks together to make a bigger Nook

Note: Unhook your Power Strip and place it into the Table Tower.

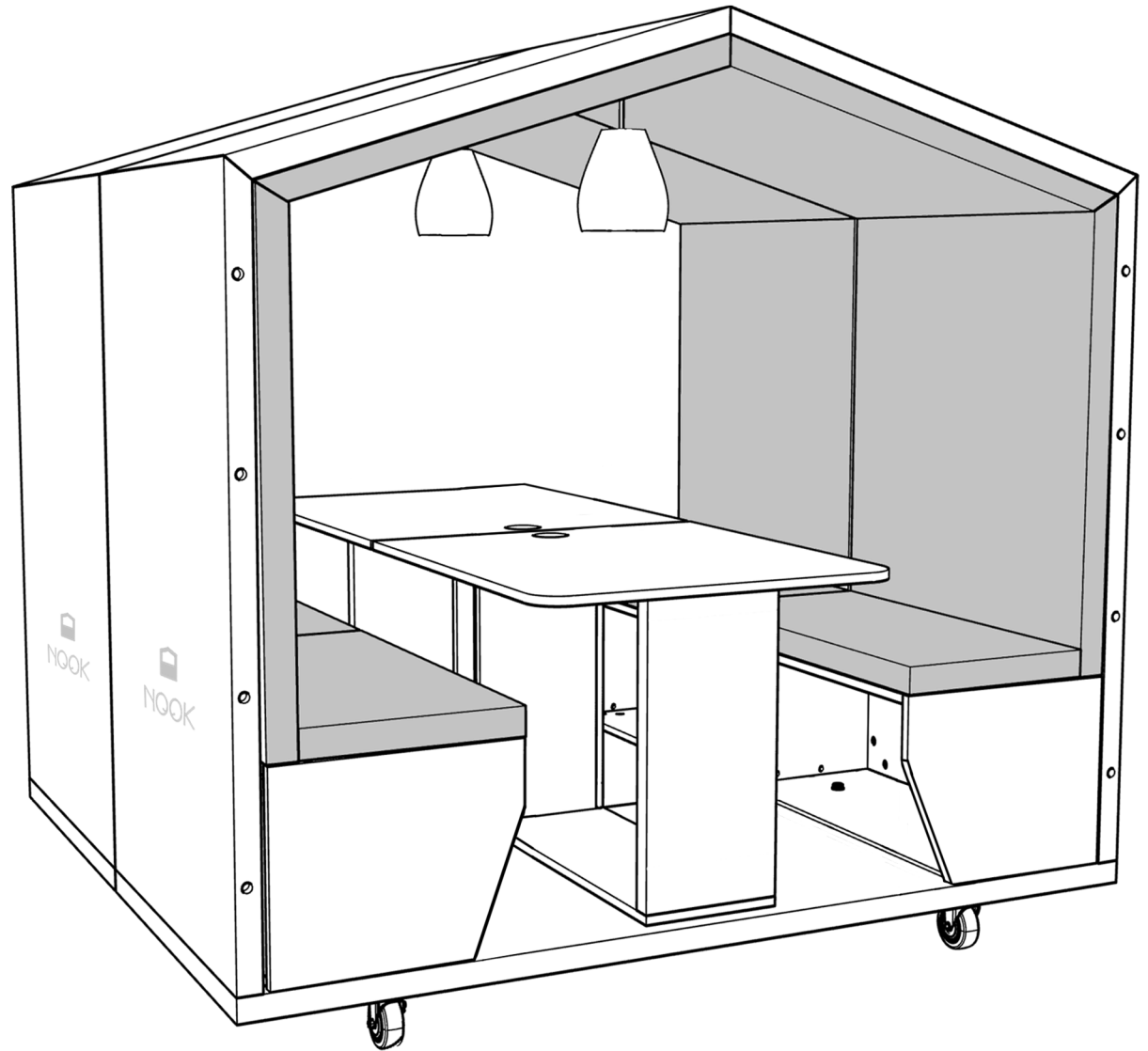
1. Remove the upper backboard of the two Nooks.
2. Remove the lower backboard with the shelves of the Nooks.
3. Push the two Nooks together with the table towers being back-to-back.





Two Nooks together to make a bigger Nook

4. Lock the castors in place and enjoy using your bigger Nook.

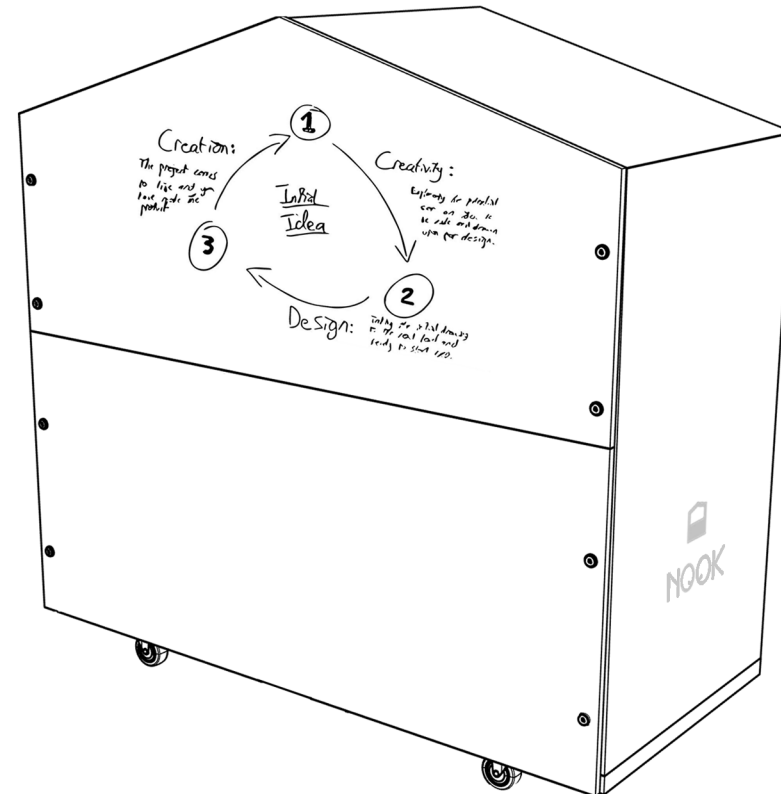
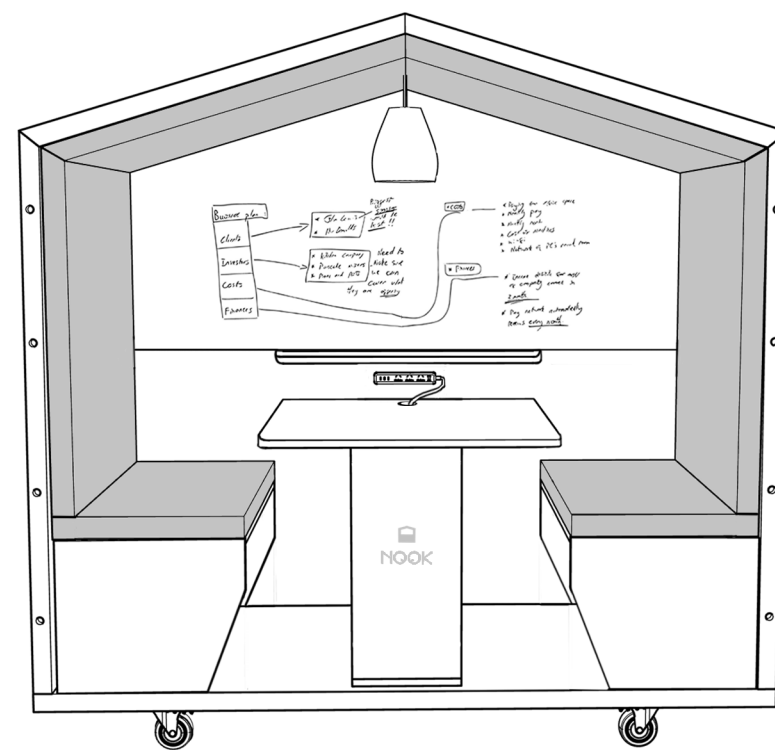




Nook whiteboards

1. The Nook whiteboards are made entirely of whiteboard material.

You can draw on the front and back.





NOOK

We hope you enjoy your new Nook.

Should you have any questions or feedback, or require any assistance with any aspect of this installation, please get in touch with your Nook Dealer.

Regards,
The Nook Team