

Technical Specifications

Solo 76

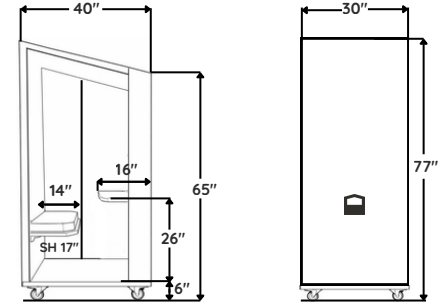
At just 30-inches deep, the Nook Solo 76 rolls through standard doorways, making it easy to bring support exactly where it's needed.



NOOK

Dimensions

Overall	40w x 30d x 77h
Weight	290 lbs
Capacity	1 person (880 lbs total)



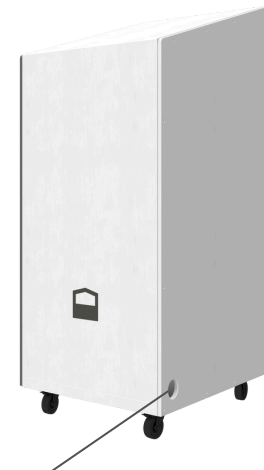
Construction

Surfaces	M3 industrial grade particle board with HPL (high pressure laminate) finished on both sides.
Surface Edge	PVC
Casters	(4) Locking plate casters (4" h) attached in each corner of base. Casters can be removed.
Upholstery	Seat cushion and back panel constructed of acoustic foam with backing panels. Ceiling and front of desk panel constructed of PET
Seat Panel	Attached with industrial Velcro strips to seat board.
Table	Attached with back wall table mount.
Assembly	Shipped KD. Panels assemble with screwdriver, cams, and metal and wood dowels. Installation time approximately one hour for a team of two.
Compliance	Nook is both fire and material code compliant.



Standard Base Finishes

Shell	Laminate - Egger White W1000
Surface Edge	PVC - White
Privacy Panel, Back Panel, Seat	Laminate - Egger Dust Grey U732 ST9
Casters	Grey
Upholstery	Grade 1 - Gabriel Just or Mica Collections
Table Top	Laminate - Egger Natural Lancaster Oak
Floor	Laminate - Egger Dust Grey U732 ST9



Power integration ready



Technical Specifications

Solo 76

Replacement Parts, Finish
Samples & Warranty



NOOK

Replacement Parts and Finish Samples	Contact Nook 1-847-805-8510 hellousa@nookpodusa.com
--------------------------------------	---

Warranty	Limited Lifetime Warranty
----------	---------------------------

Options

L2 Premium Laminates	Egger Laminates - Natural Dijon Walnut, Natural Lancaster Oak, Grey Bardolino Oak, Black, Dust Grey, Rusty Red, Denim Blue, Fjord Green, Sand Yellow.
----------------------	---

White Marker Board	Available at an upcharge on back panel for an erasable writing surface.
--------------------	---

Upholstery	Refer to website for additional upgrade options. Other finish options available upon request, please ask for a quote.
------------	---

Window Back Panel	Available as an option, please ask for a quote.
-------------------	---

COM	Contact Customer Service.
-----	---------------------------

Monitors safely mount on wall above the shelf. Please contact Customer Service for additional information.



Sustainability

At Nook, we strive to develop & design products that lessen the impact on the environment through use of alternative materials & eco-friendly technology. It is our corporate policy to comply or exceed with all applicable environmental regulations, employ contemporary recycling, waste reduction and sustainable practices.

Manufactured in UK (Ships from Chicago)



Window back panel available as an option

